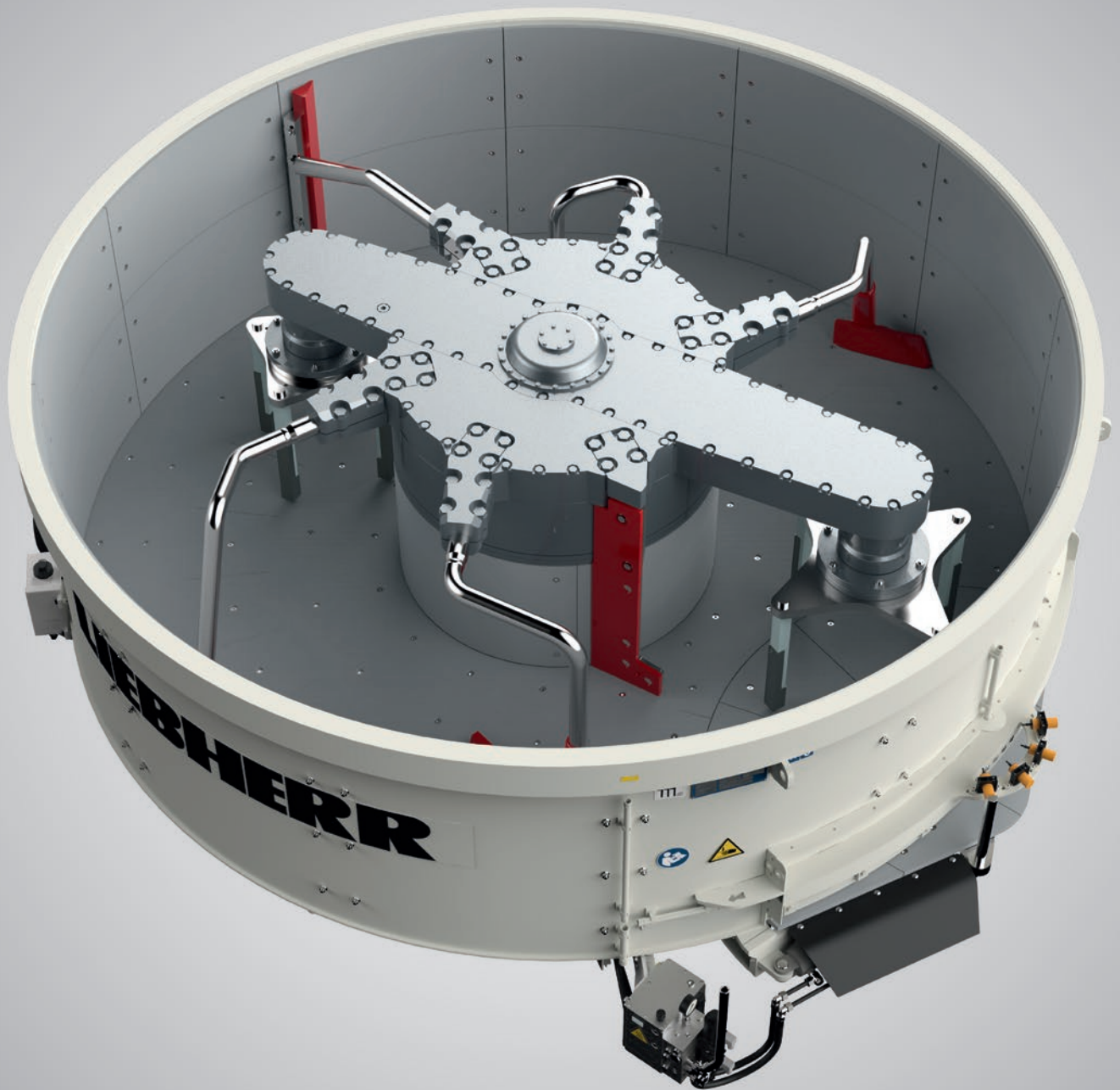


Ring-pan mixer

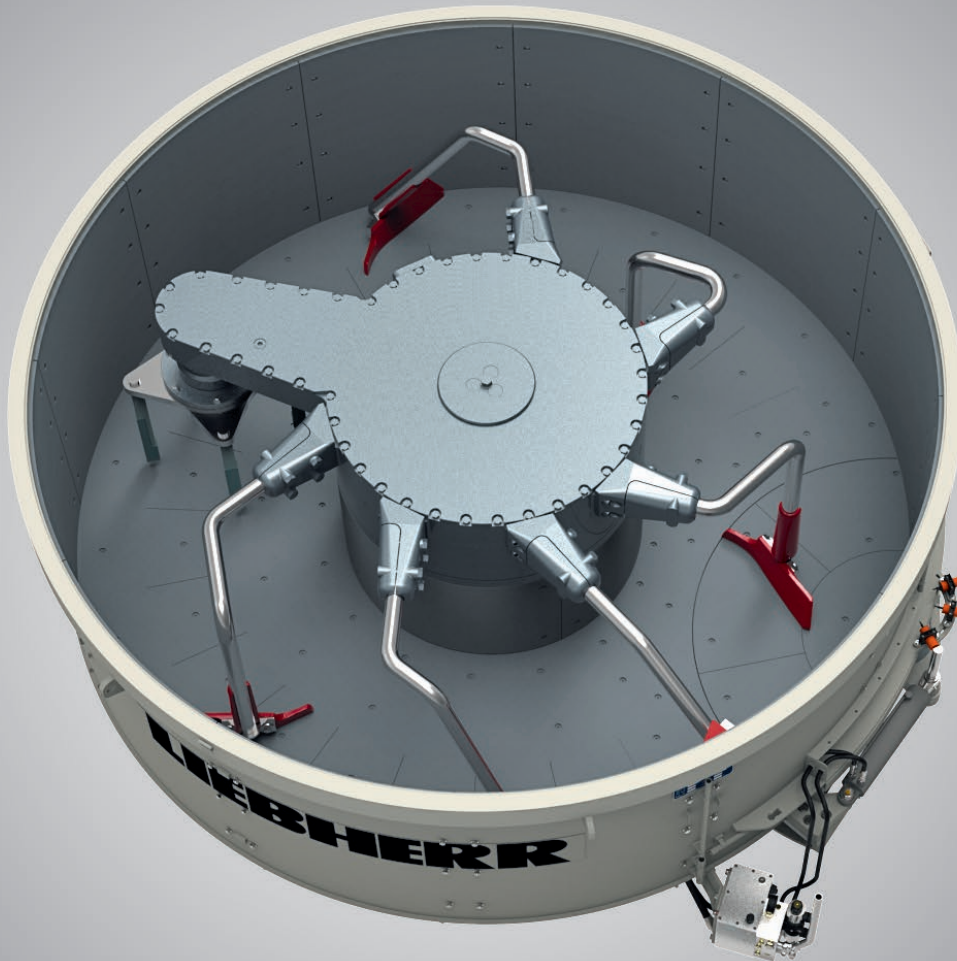
For highest concrete qualities



LIEBHERR

Ring-pan mixer

The specialist for all applications



RIM 1.5-M

From standard to high-tech, always the right product

Thanks to versatile adaptation options, the various designs of the ring-pan mixer are ideal for any mixing task, from standard to high performance concrete. Regardless of the mixing task, the Liebherr ring-pan mixer will provide you with the optimum solution.



Perfect in any installation position

- Inlets and discharge gates can be arranged in various configurations to suit any installation position
- Several mixers can be integrated in a mixing plant
- Floor-level installation of the mixer platform is also possible

Options

High pressure cleaning, steaming, sensor preparation, chilled cast tiles, composite panels lining LVP, central lubricating system, ceramic lining, other options upon request

Annular channel for the highest concrete qualities

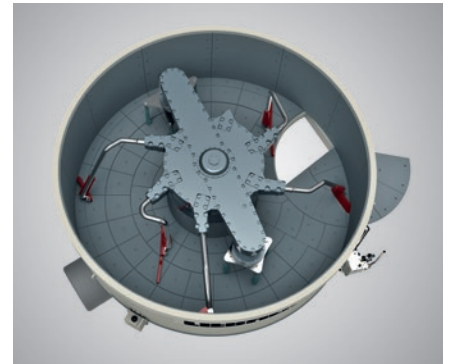
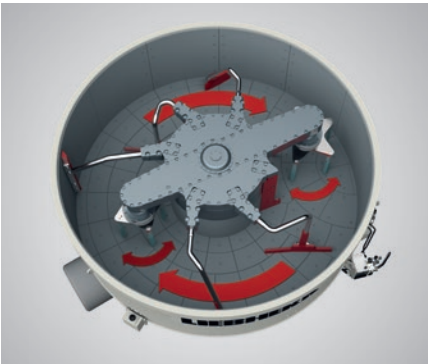
- The material cannot escape thanks to the tried and tested annular channel system.
- The special agitator tools quickly homogenise the perfect mix.

Good accessibility

- The gear and the low-maintenance drive motors are arranged below the mixer. This means there are no drives on the top.
- Excellent accessibility for cleaning and maintenance.

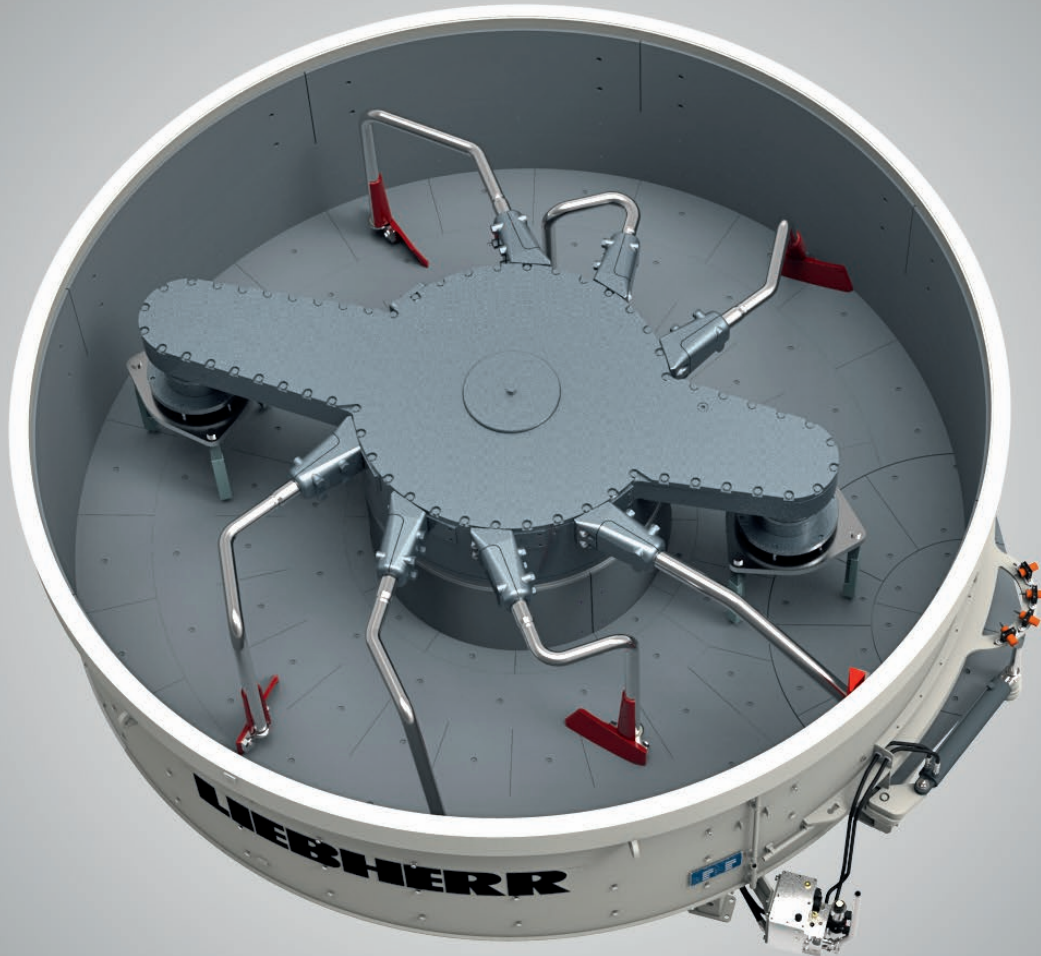
Up to three mixer discharge gates

- Large mixer openings and the special alignment of the mixing tools result in fast discharge times.
- Up to three mixer discharge gates are possible.



R / RIM-M / RIM-D ring-pan mixer

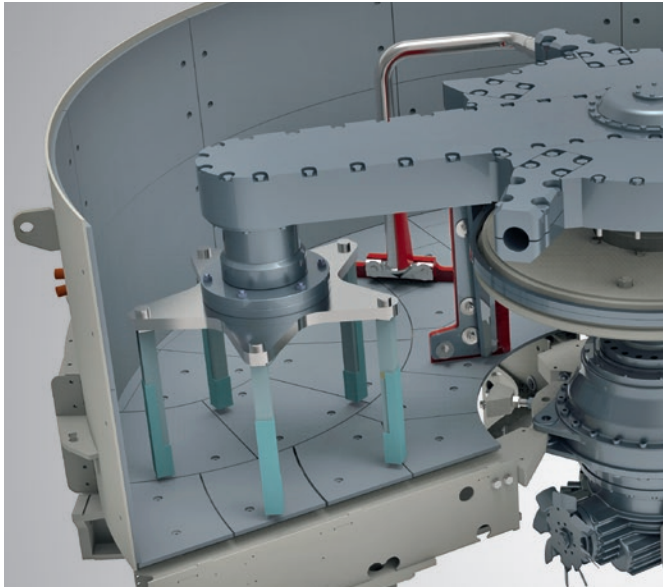
Flexible sizes and equipment



RIM 3.0-D

Sizes to suit all applications

The ring-pan mixers are available in a range of sizes between 0.5 and 3.0 m³ to suit all applications. The agitator systems enable demanding mixing tasks to be mastered with ease.



Efficient agitator systems reduce mixing time

- Whirling systems homogenize the complete batch of concrete
- The vertical arrangements of the whirling rods ensure that the energy is applied to the entire fill height
- Shorter mixing times
- Reduced cement content achieved

Type R

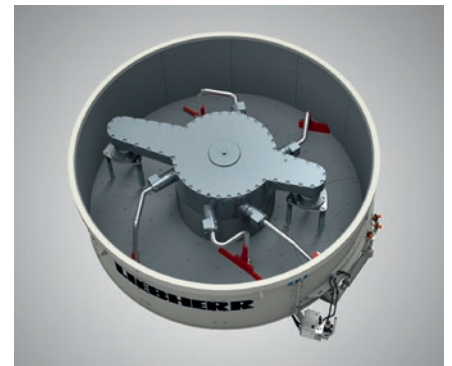
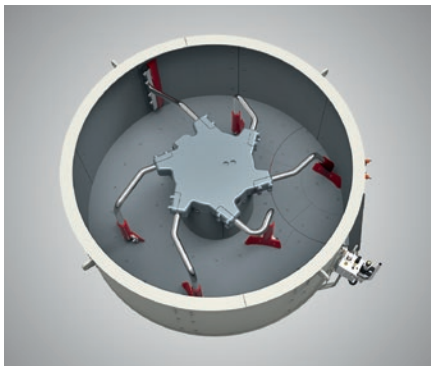
- Designed for all standard mixes.
- The arrangement of the mixing tools is optimised to mix the raw materials quickly and efficiently to obtain the desired mixing result.

Type RIM-M

- The agitator tools ensure intensive mixing performance and also master demanding recipes.
- The agitator breaks up the cement faster and homogenises the mixture in a shorter time.

Type RIM-D

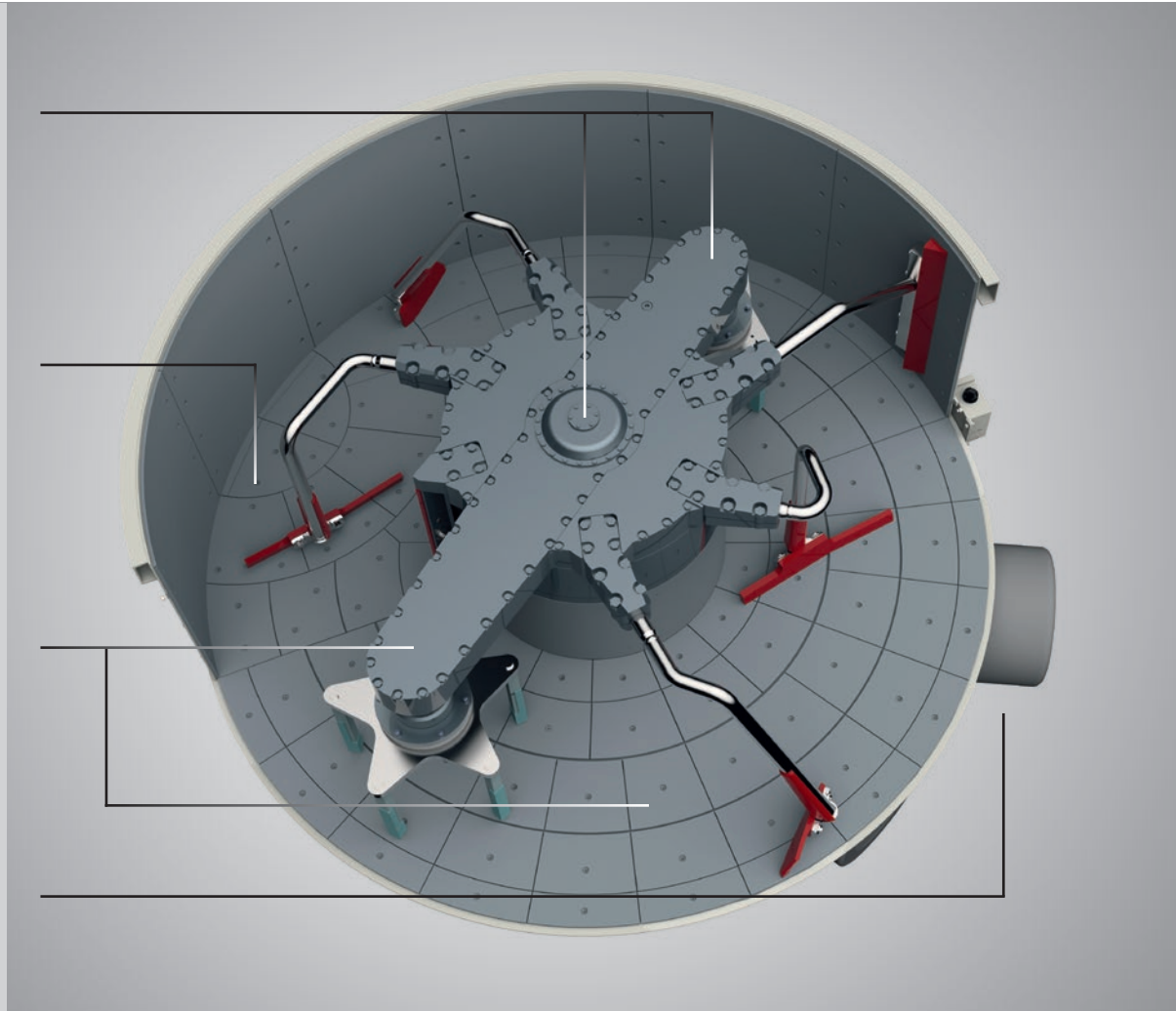
- This variant is equipped with two agitators and delivers high specification concrete.
- The highest efficiency combined with short mixing times.



RIV 2.5-D

For perfect high performance concrete

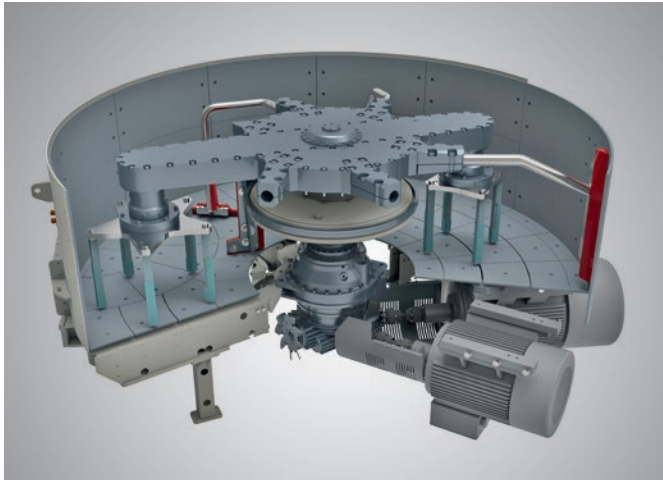
- Independent drives
- Fast discharge times
- Highest concrete quality
- Good accessibility



RIV 2.5-D

Variable speeds for special requirements

The variable speeds of the new RIV 2.5-D ring-pan mixer enable it to meet the highest requirements when manufacturing high performance concrete. Great flexibility for all mixing parameters, in particular for the mixing tools, enables a wide range of concrete types to be manufactured efficiently.



System with variable speeds

Two high performance electric motors drive the main mixing unit and the agitator system mechanically independently of each other. Thanks to frequency converters, the speed of the motors can be individually adjusted during mixing. Speed can therefore be varied throughout the entire process whether it be filling, mixing dry and wet or discharging concrete.

The system with variable speeds ensures the highest quality and efficiency during the mixing process. The new RIV 2.5-D ring-pan mixer is capable of mixing all concrete types including high tech or special concrete.

Two drives

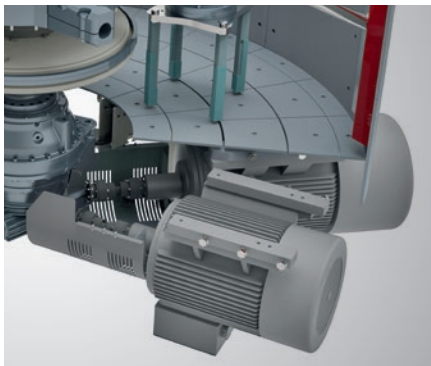
- Different drives for the various performance requirements of the different mixing tools.
- Large motors designed for the most demanding requirements.

High concrete quality

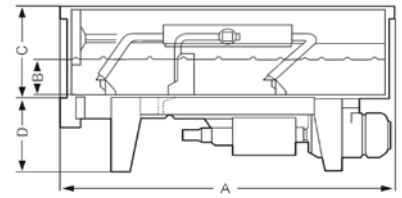
- Perfectly designed mixing tools and high rotational speeds guarantee high concrete quality.

Applications

- Ultra high performance concrete
- SCC (self-compacting concrete)
- All precast requirements e.g. for wind power plants or tunnel construction
- Specialised concrete
- Coloured concrete



Ring-pan mixer



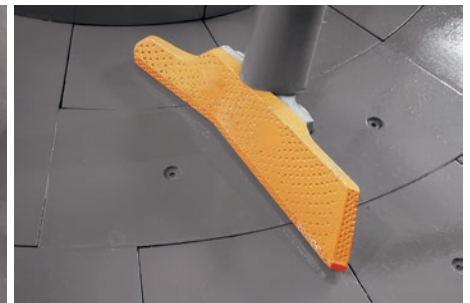
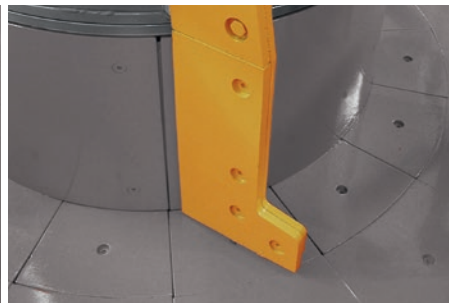
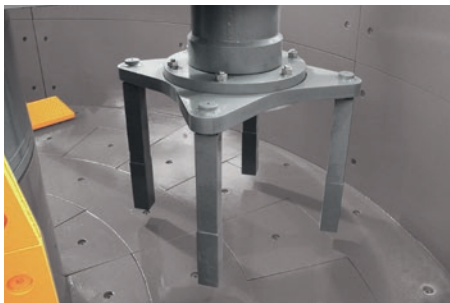
Types	0.5	1.0	1.5	2.0	2.25	2.5	3.0
R (without agitator)	✓	✓	-	-	-	-	-
RIM-M (mechanical mono agitator)	✓	✓	✓	✓	✓	✓	-
RIM-D (mechanical double agitator)	-	-	✓	✓	✓	✓	✓
RIV-D (mechanical double agitator with variable speeds)	-	-	✓	✓	✓	✓	-

Technical data		0.5	1.0	1.5	2.0	2.25	2.5	3.0
Nominal capacity in accordance with DIN 459, part 1	m ³	0.5	1.0	1.5	2.0	2.25	2.5	3.0
Filling capacity	l	750	1500	2250	3000	3375	3750	4500
Dimension	A / B C / D	mm 2126 / 275 845 / 560	2425 / 375 952 / 585	3242 / 345 1043 / 750	3242 / 460 1043 / 750	3242 / 518 1043 / 750	3500 / 482 1043 / 750	3922 / 462 1013 / 750
Weight	t	2.9 - 3.7	4.3 - 4.7	7.4 - 8.7	8.1 - 8.8	9.6 - 11.2	11.5 - 12.3	12.6

R / RIM		R / RIM	R / RIM	RIM	RIM	RIM	RIM	RIM
Power of mixer main motor	kW	22 / 30	37 / 48	55	75	90	110	132
Range of rotation mixer	rpm	26 / 26	26 / 26	20	20	20	21	21
Range of rotation agitator	rpm	- / 135	- / 135	120	120	120	120	100

RIV*				RIV*	RIV*	RIV*	RIV*	
Power of mixer main motor	kW	-	-	75	90	110	132	-
Power of agitator motor	kW	-	-	45	55	75	75	-
Range of rotation mixer	rpm	-	-	0-31	0-31	0-31	0-31	-
Range of rotation agitator	rpm	-	-	+/- 230	+/- 230	+/- 230	+/- 230	-

*Max. peripheral speed = 13,5 m/s



Liebherr-Mischtechnik GmbH

Postbox 145, 88423 Bad Schussenried / Germany
Tel: +49 7583 949-0, Fax: +49 7583 949-396
www.liebherr.com, E-Mail: info.lmt@liebherr.com
www.facebook.com/LiebherrConstruction